

12 P		12 POLI / POLES 500 rpm - V 230/400/50 Hz - dalla grandezza / from size 160 → 400/690/50 Hz																													
TIPO TYPE	Potenza Power		rpm	In 400 V A	Rend% Eff.%	Cosφ p.f.	Ia In	Ca Cn	Cmax Cn	Cn Nm	J kgm²	Peso Weight Kg	TIPO TYPE	DC				AC				DC - S				POS.DC					
	CF	Cicli/h Cycles/h												PB	Peso Weight Kg	CF	Cicli/h Cycles/h	PB	Peso Weight Kg	CF	Cicli/h Cycles/h	PB	Peso Weight Kg	CF	Cicli/h Cycles/h	PB	Peso Weight Kg	CF	Cicli/h Cycles/h	PB	Peso Weight Kg
	Nm	∅o												Watt	Kg	Nm	∅o	VA	Kg	Nm	∅o	Watt	Kg	Nm	∅o	Watt	Kg	Nm	∅o	Watt	Kg
T71C	0,09	0,12	420	0,60	33,9	0,61	1,5	1,9	2,1	2,00	0,0012	6,5	AT71C	4	21500	20	8,0	5	21500	40	8,0	4	21500	18	8,0	7,5	21500	11,5	7,1		
T80C	0,18	0,25	430	1,00	42,0	0,62	1,8	1,4	1,6	4,10	0,0030	11,0	AT80C	8	21500	25	14,0	10	21500	70	14,0	9	21500	25	14,0	15,0	21500	16,0	12,1		
T90L	0,25	0,35	420	1,80	41,6	0,49	1,4	1,4	1,3	5,80	0,0050	15,0	AT90L	16	27000	30	19,0	20	27000	120	19,0	10	27000	25	18,0	30,0	27000	21,0	17,0		
T100B	0,37	0,50	470	2,10	53,8	0,48	2,4	2,2	2,6	7,60	0,0100	21,0	AT100B	32	13500	40	25,0	40	13500	160	29,0	12	13500	35	25,0	60,0	13500	28,0	24,5		
T100BL	0,55	0,75	460	2,70	57,7	0,52	2,5	1,7	2,3	11,70	0,0130	23,0	AT100BL	32	11500	40	27,0	40	11500	160	32,0	12	11500	35	27,0	60,0	11500	28,0	26,5		
T112B	0,75	1,00	470	3,10	64,9	0,55	2,7	1,1	1,9	15,70	0,0160	28,0	AT112B	60	11000	50	35,0	60	11000	300	37,0	13	11000	35	33,0	60,0	11000	28,0	34,0		
T132S	1,10	1,50	470	4,20	66,3	0,58	2,4	0,9	1,6	23,00	0,0300	55,0	AT132S	80	2000	55	66,0	90	2000	500	69,0	17	2000	35	64,0	120,0	2000	38,0	67,0		
T132M	1,50	2,00	460	5,60	67,1	0,59	2,2	0,9	1,4	31,80	0,0380	66,0	AT132M	80	2000	55	79,0	90	2000	500	83,0	17	2000	35	75,0	120,0	2000	38,0	78,0		
T132ML	1,85	2,50	455	6,90	63,0	0,62	2,5	1,2	1,7	38,90	0,0470	66,0	AT132ML	80	1900	55	71,0	90	1900	500	72,0	17	1900	35	63,0	120,0	1900	38,0	78,0		
T160M	3,00	4,00	470	9,30	75,9	0,62	2,7	1,3	1,8	61,50	0,0900	80,0	AT160M	150	1650	85	99,0	200	1650	600	95,0	30	1650	65	87,0	240,0	1650	45,0	101,0		
T160L	4,00	5,50	470	12,00	76,9	0,63	2,5	1,2	1,7	83,40	0,1300	90,0	AT160L	150	1650	85	109,0	200	1650	600	105,0	30	1650	65	97,0	240,0	1650	45,0	111,0		
T180L	5,50	7,50	450	18,00	70,0	0,63	3,5	1,5	1,9	116,77	0,2100	120,0	AT180L	260	200	100	119,0	400	200	600	139,0	-	-	-	-	480,0	1400	70,0	141,0		
T200L	7,50	10,00	440	23,00	73,0	0,65	3,8	1,6	1,8	162,85	0,3700	150,0	AT200L	400	100	100	149,0	400	100	600	169,0	-	-	-	-	480,0	1100	70,0	171,0		

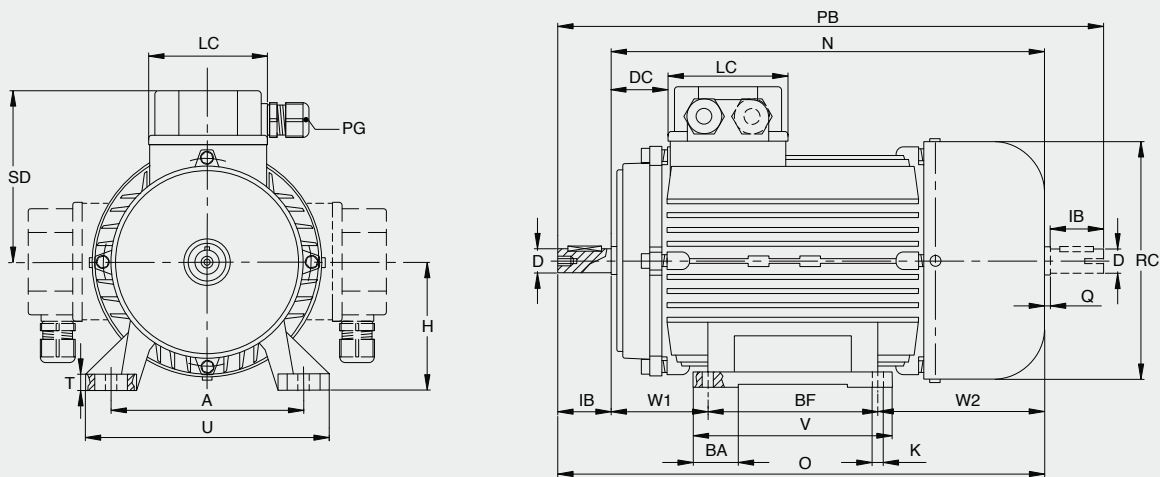
16 P		16 POLI / POLES - V 230/400/50 Hz - dalla grandezza / from size 160 → 400/690/50 Hz																													
TIPO TYPE	Potenza Power		rpm	In 400 V A	Rend% Eff.%	Cosφ p.f.	Ia In	Ca Cn	Cmax Cn	Cn Nm	J kgm²	Peso Weight Kg	TIPO TYPE	DC				AC				DC - S				POS.DC					
	CF	Cicli/h Cycles/h												PB	Peso Weight Kg	CF	Cicli/h Cycles/h	PB	Peso Weight Kg	CF	Cicli/h Cycles/h	PB	Peso Weight Kg	CF	Cicli/h Cycles/h	PB	Peso Weight Kg	CF	Cicli/h Cycles/h	PB	Peso Weight Kg
	Nm	∅o												Watt	Kg	Nm	∅o	VA	Kg	Nm	∅o	Watt	Kg	Nm	∅o	Watt	Kg	Nm	∅o	Watt	Kg
T132S	0,55	0,75	360	3,50	52,0	0,44	1,8	1,1	1,6	14,60	0,0300	55,0	AT132S	80	2000	55	66,0	90	2000	500	69,0	17	2000	35	64,0	120,0	2000	38,0	67,0		
T132M	0,75	1,00	355	4,20	56,0	0,46	1,9	1,1	1,5	20,18	0,0380	66,0	AT132M	80	2000	55	79,0	90	2000	500	83,0	17	2000	35	75,0	120,0	2000	38,0	78,0		
T160M	1,10	1,50	360	5,50	59,0	0,49	2,5	1,2	1,5	29,19	0,0900	80,0	AT160M	150	1650	85	99,0	200	1650	600	95,0	30	1650	65	87,0	240,0	1650	45,0	101,0		
T160L	1,50	2,00	355	7,00	61,0	0,51	2,6	1,3	1,4	40,37	0,1300	90,0	AT160L	150	1650	85	109,0	200	1650	600	105,0	30	1650	65	97,0	240,0	1650	45,0	111,0		
T180L	2,20	3,00	360	10,00	62,0	0,51	2,8	1,4	1,4	58,39	0,2100	120,0	AT180L	260	200	100	119,0	400	200	600	139,0	-	-	-	-	480,0	1400	70,0	141,0		
T200L	3,00	4,00	350	13,00	65,0	0,51	3,1	1,5	1,4	81,89	0,3700	150,0	AT200L	400	100	100	149,0	400	100	600	169,0	-	-	-	-	480,0	1100	70,0	171,0		

32 P		32 POLI / POLES - V 230/400/50 Hz - dalla grandezza / from size 160 → 400/690/50 Hz																													
TIPO TYPE	Potenza Power		rpm	In 400 V A	Rend% Eff.%	Cosφ p.f.	Ia In	Ca Cn	Cmax Cn	Cn Nm	J kgm²	Peso Weight Kg	TIPO TYPE	DC				AC				DC - S				POS.DC					
	CF	Cicli/h Cycles/h												PB	Peso Weight Kg	CF	Cicli/h Cycles/h	PB	Peso Weight Kg	CF	Cicli/h Cycles/h	PB	Peso Weight Kg	CF	Cicli/h Cycles/h	PB	Peso Weight Kg	CF	Cicli/h Cycles/h	PB	Peso Weight Kg
	Nm	∅o												Watt	Kg	Nm	∅o	VA	Kg	Nm	∅o	Watt	Kg	Nm	∅o	Watt	Kg	Nm	∅o	Watt	Kg
T180L	1,50	2,00	160	9,00	58,0	0,42	2,6	1,3	1,5	89,57	0,2100	120,0	AT180L	260	200	100	119,0	400	200	600	139,0	-	-	-	-	480,0	1400	70,0	141,0		
T200L	2,20	3,00	155	12,00	60,0	0,44	2,8	1,3	1,5	135,61	0,3700	150,0	AT200L	400	100	100	149,0	400	100	600	169,0	-	-	-	-	480,0	1100	70,0	171,0		

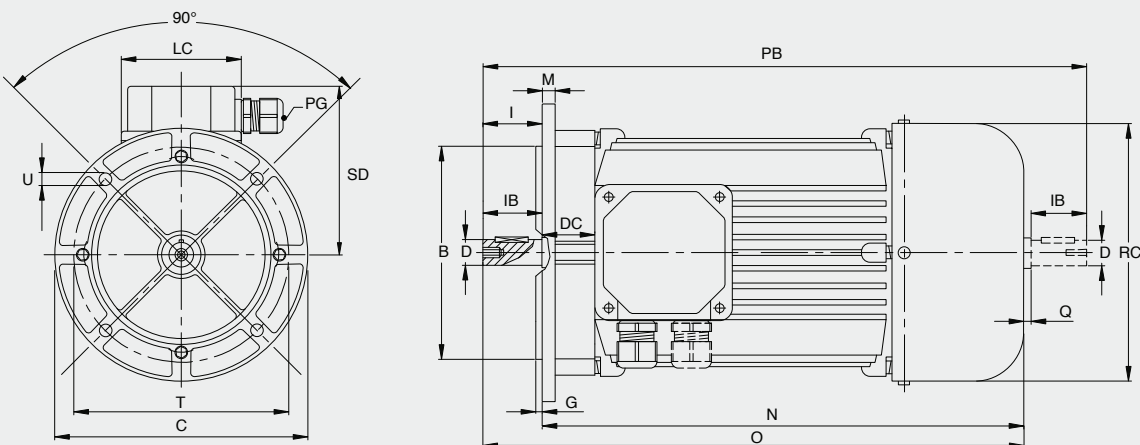
Dimensioni motori trifase e doppia polarità serie T - DP - HE2 - HE3** - IN
 Dimensions of three-phase and two-speed motors series T - DP - HE2 - HE3** - IN

In generale dalla grandezza 71 ÷ 200 piedi riportati / In generale dalla grandezza 71 ÷ 200 piedi riportati

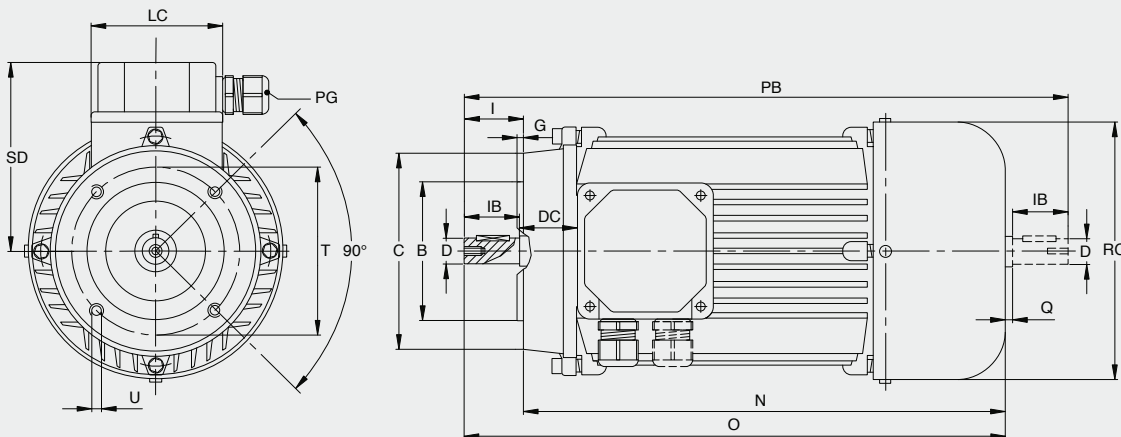
B3



B5

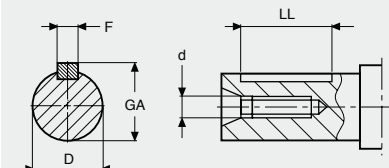


B14



* vedere pag. 45 ** su richiesta * see page 45 ** upon request

Tab. 37



Grand. / Size	50	56	63	71	80	90	100	112	132	160	180	200
F	3	3	4	5	6	8	8	8	10	12	14	16
D	9	9	11	14	19	24	28	28	38	42	48	55
GA	10,2	10,2	12,5	16,0	21,5	27,0	31,0	31,0	41,0	45,0	52,5	59,0
d		M4	M4	M5	M6	M8	M10	M10	M12	M16	M16	M20
LL	15	15	15	20	30	40	50	50	60	100	90	100

Grand. Size	Dimensioni / Dimensions																			B3	
	D	IB	A	BF	K	H	W1	W2	N	O	PG	RC	SD	TP	U	V	PB	Q	LC	DC	BA
56	9	20	90	71	6	56	36	61,0	168,0	188,0	M16	110	95	10	108	90	211,0	3	75	24	25
63	11	23	100	80	7	63	40	70,5	190,5	213,5	M16	123	100	10	120	105	239,5	3	75	28	27
71	14	30	112	90	8	71	48	80,0	218,0	248,0	M16	137	109	11	136	108	281,0	3	75	36	24
80	19	40	125	100	9	80	54	88,0	242,0	282,0	M20	156	123	13/14	154	125	326,0	4	91	35	30
90S	24	50	140	100	10	90	59	96,0	255,0	305,0	M20	176	128	13/15	170	130	358,0	3	91	40	30
90L	24	50	140	125	10	90	59	96,0	280,0	330,0	M20	176	128	13/15	170	155	383,0	3	91	40	32
100	28	60	160	140	13	100	63	109,0	312,0	372,0	M20	194	140	15/16	192	175	437,0	5	91	45	32
112	28	60	190	140	13	112	72	118,0	330,0	390,0	M20	218	148	15	224	176	455,0	5	91	47	34
132S	38	80	216	140	14	132	89	151,5	380,5	460,5	M32	258	177	16/18	260	180	546,5	6	106	57	37
132M	38	80	216	178	14	132	89	151,5	418,5	498,5	M32	258	177	16/18	260	218	584,5	6	106	57	37
160M	42	110	254	210	16	160	108	173,0	491,0	601,0	M32	309	220	18	318	260	718,0	7	165	118	52
160L	42	110	254	254	16	160	108	173,0	535,0	645,0	M32	309	220	18	318	304	-	-	165	118	52
180	48	110	280	280	16	180	120	210,0	610,0	720,0	M32	346	260	24	346	330	-	-	187	51	42
200	55	110	318	305	18	200	118	208,0	631,0	741,0	M32	348	260	26	398	355	-	-	187	62	54

Grand. Size	Dimensioni / Dimensions																			B5	
	D	I	B	C	G	M	N	O	PG	RC	SD	T	U	PB	Q	LC	DC	IB	LC	DC	BA
56	9	20	80	120	2,5	8,5	168,0	188,0	M16	110	95	100	7,0	211,0	3	75	24	20	75	24	25
63	11	23	95	140	2,5	10,0	190,5	213,5	M16	123	100	115	9,5	239,5	3	75	28	23	75	28	27
71	14	30	110	160	3,0	10,0	218,0	248,0	M16	137	109	130	9,5	281,0	3	75	36	30	75	36	24
80	19	40	130	200	3,0	11,0	242,0	282,0	M20	156	123	165	12,0	326,0	4	91	35	40	91	35	30
90S	24	50	130	200	3,5	10,0	255,0	305,0	M20	176	128	165	12,0	358,0	3	91	40	50	91	40	30
90L	24	50	130	200	3,5	10,0	280,0	330,0	M20	176	128	165	12,0	383,0	3	91	40	50	91	40	32
100	28	60	180	250	4,0	14,0	312,0	372,0	M20	194	140	215	14,5	437,0	5	91	45	60	91	45	32
112	28	60	180	250	4,0	14,0	330,0	390,0	M20	218	148	215	14,5	455,0	5	91	47	60	91	47	34
132S	38	80	230	300	4,0	20,0	380,5	460,5	M32	258	177	265	14,5	546,5	6	106	57	80	106	57	37
132M	38	80	230	300	4,0	20,0	418,5	498,5	M32	258	177	265	14,5	584,5	6	106	57	80	106	57	37
160M	42	110	250	350	5,0	20,0	491,0	601,0	M32	309	220	300	18,5	718,0	7	165	118	110	165	118	52
160L	42	110	250	350	5,0	20,0	535,0	645,0	M32	309	220	300	18,5	-	-	165	118	110	165	118	52
180	48	110	250	350	5,0	20,0	610,0	720,0	M32	346	260	300	19,0	-	-	187	51	110	187	51	42
200	55	110	300	400	5,0	20,0	631,0	741,0	M32	348	260	350	19,0	-	-	187	62	110	187	62	54

Grand. Size	Dimensioni / Dimensions																			B14	
	D	I	B	C	G	N	O	PG	RC	SD	T	U	PB	Q	LC	DC	IB				
50A	9	20	50	80	2,5	125,0	145,0	M16	98	77	65	M5	-	-	56	20	20				
50B	9	20	50	80	2,5	141,0	161,0	M16	98	77	65	M5	184,0	3	64	23	20				
56	9	20	50	80	2,5	168,0	188,0	M16	110	95	65	M5	211,0	3	75	24	20				
63	11	23	60	90	2,5	190,5	213,5	M16	123	100	75	M5	239,5	3	75	28	23				
71	14	30	70	105	3,0	218,0	248,0	M16	137	109	85	M6	281,0	3	75	36	30				
80	19	40	80	120	3,0	242,0	282,0	M20	156	123	100	M6	326,0	4	91	35	40				
90S	24	50	95	140	3,0	255,0	305,0	M20	176	128	115	M8	358,0	3	91	40	50				
90L	24	50	95	140	3,0	280,0	330,0	M20	176	128	115	M8	383,0	3	91	40	50				
100	28	60	110	160	4,0	312,0	372,0	M20	194	140	130	M8	437,0	5	91	45	60				
112	28	60	110	160	4,0	330,0	390,0	M20	218	148	130	M8	455,0	5	91	47	60				
132S	38	80	130	200	4,0	380,5	460,5	M32	258	177	165	M10	546,5	6	106	57	80				
132M	38	80	130	200	4,0	418,5	498,5	M32	258	177	165	M10	584,5	6	106	57	80				
160M	42	110	180	250	4,0	491,0	601,0	M32	309	220	215	M12	718,0	7	165	118	110				
160L	42	110	180	250	4,0	535,0	645,0	M32	309	220	215	M12	-	-	165	118	110				

B14 - grandezze 180 / 200 disponibili su richiesta B14 - sizes 180 / 200 available on request